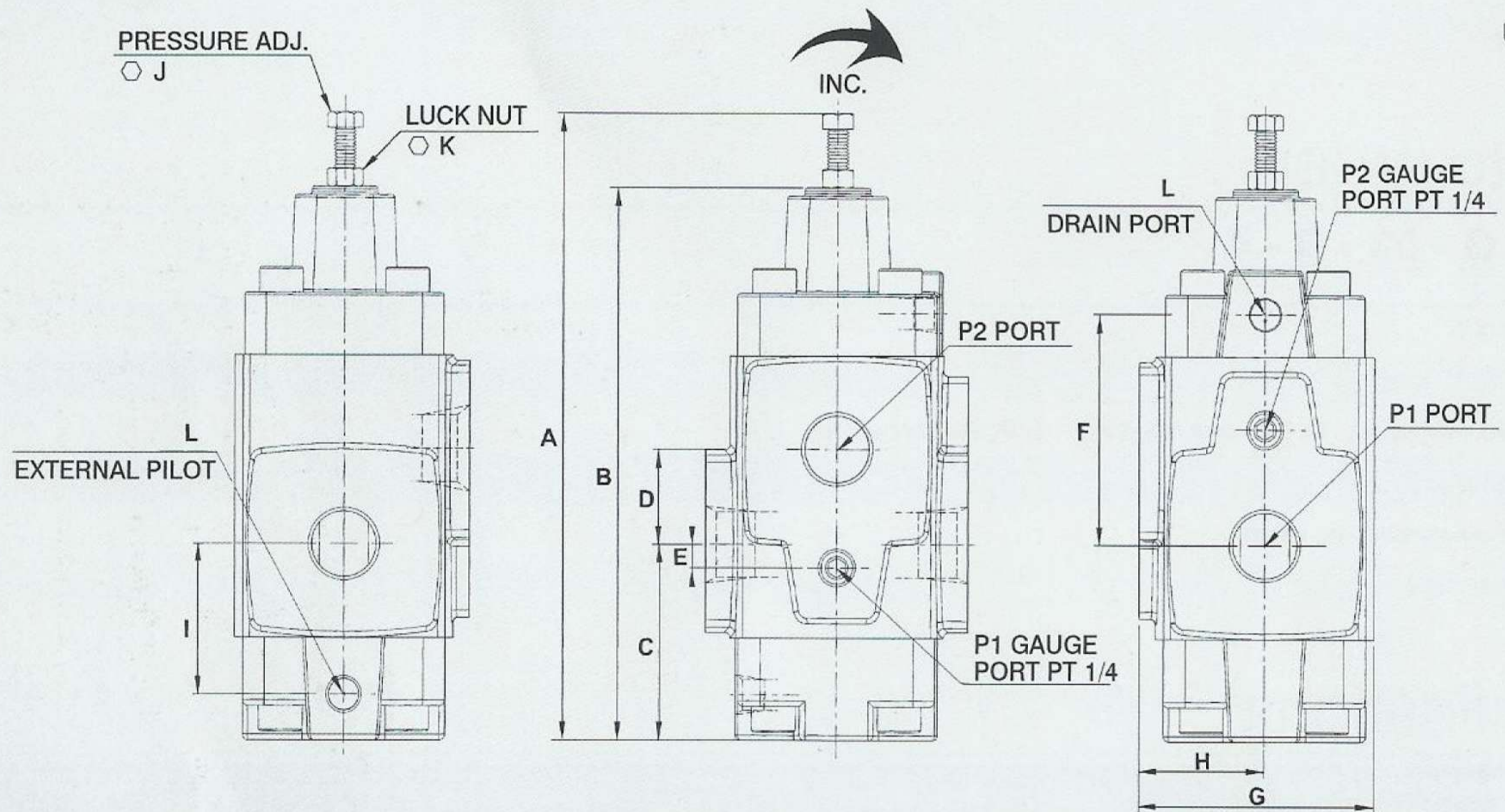


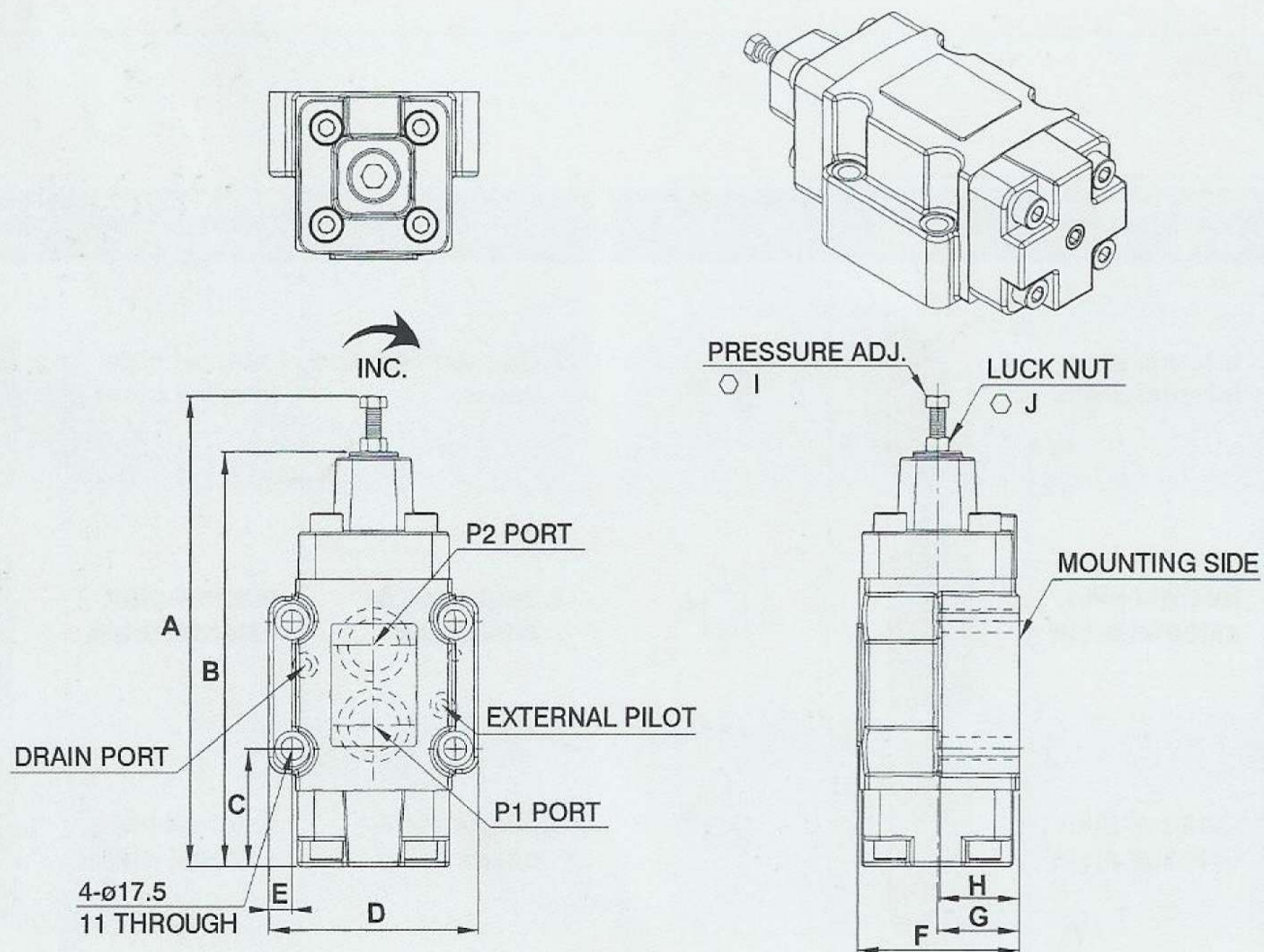
# SEQUENCE VALVE AND COUNTERBALANCE VALVE

## Dimensions



Unit: mm

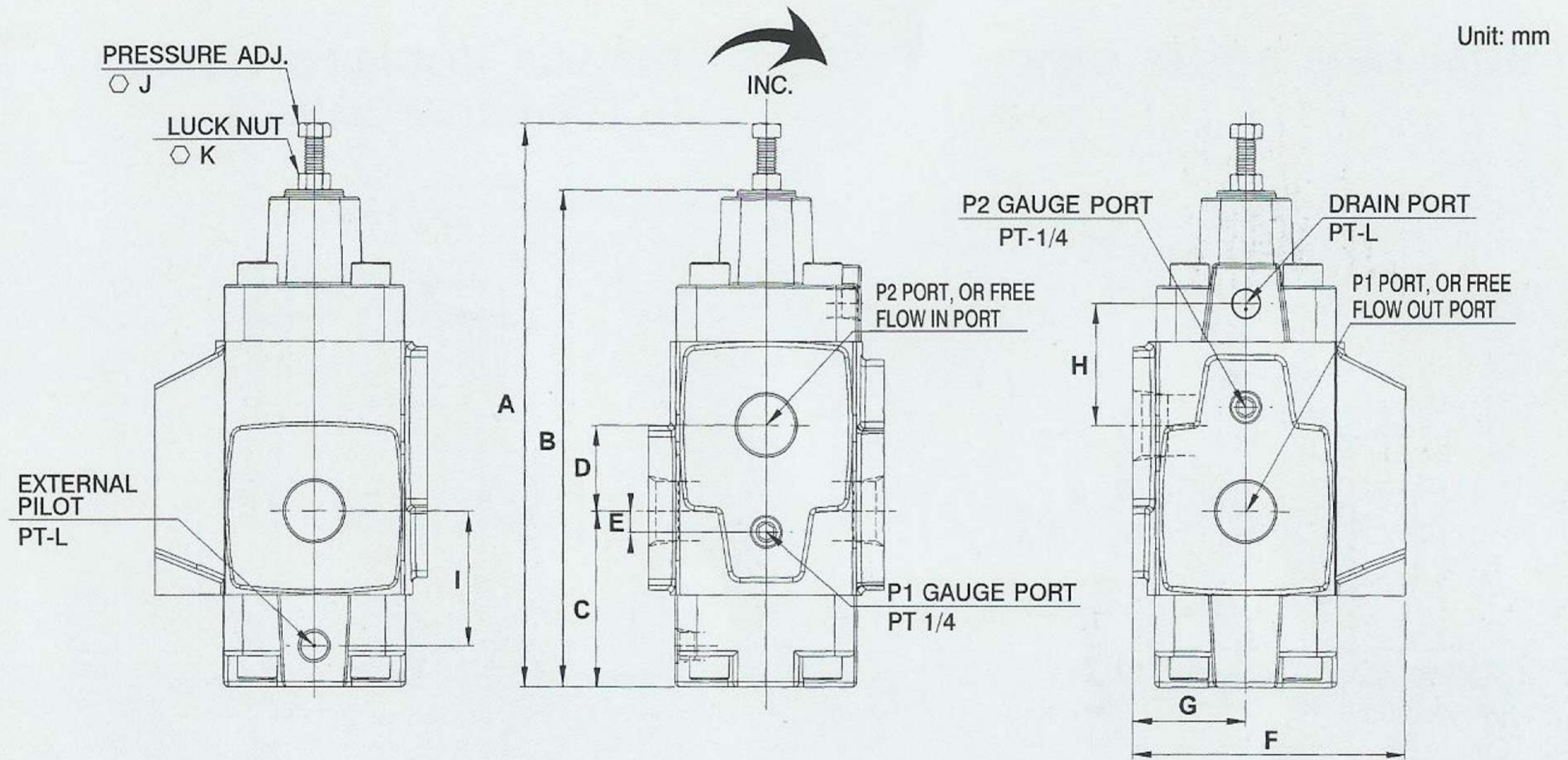
Model	A	B	C	D	E	F	G	H	I	J	K	L
HT-03	192	167.5	58	30	0	69	74	41.5	45	10	13	1/8
HT-06	223	196	69	34	8	82	86	46	53	10	13	1/4
HT-10	266	239	87	41	11	98	110	65	68	10	17	1/4



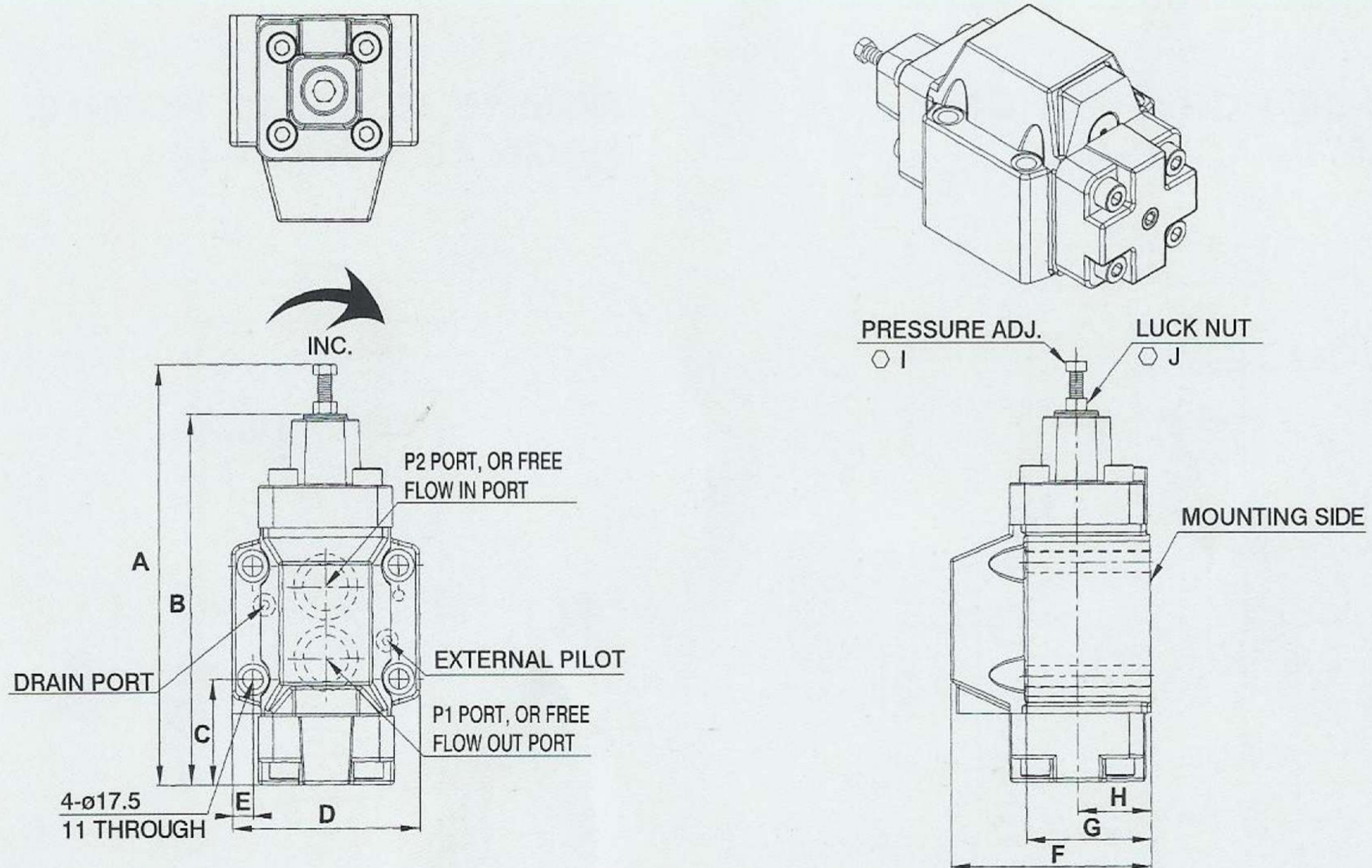
Model	A	B	C	D	E	F	G	H	I	J	Bolt size
HG-03	192	168	50.6	89	11.2	69	42	35	10	13	M10x50Lx4pcs
HG-06	223	196	60	102	11.3	79	46	39	10	13	M10x55Lx4pcs
HG-10	266	239	65	119	11	96	48.5	40	10	17	M10x60Lx6pcs

# SEQUENCE VALVE AND COUNTERBALANCE VALVE

## Dimensions



Model	A	B	C	D	E	F	G	H	I	J	K	L
HCT-03	192	168	58	30	0	95	41.5	39	45	10	13	1/8
HCT-06	223	196	69.5	34	8.3	111	46	48	53.5	10	13	1/4
HCT-10	265	246	87	40	15	154	64	58	68	10	17	1/4



Model	A	B	C	D	E	F	G	H	I	J	Bolt size
HCG-03	192	167.5	50.6	89	11.2	90	58	35	10	13	M10x70Lx4pcs
HCG-06	222	196	60	102	11.3	109	68	40	10	13	M10x80Lx4pcs
HCG-10	266	239	65	119	11.5	131	80	48	10	17	M10x95Lx6pcs

# SEQUENCE VALVE AND COUNTERBALANCE VALVE

## FEATURES:

HG series is the direct acting type pressure control valve which uses either internal or external pilot pressure to make the valve operate. By the different way of assembly, the valve can be functioned as low pressure relief valve, sequence valve, or unloading valve.

HCG series valve is HG valve with a check valve built-in, so that free revers flow can be accomplished. The valve can then be served as sequence valve or counterbalance valve. HCG valve can use either internal pilot, or external pilot. When it is used as sequence valve, it should be externally drained; and if used as counterbalance valve, it should be internally drained.

Remarks: NPT ports for HCT series can be made by special order



## How to order

**H - C - G - 03 - B - 4**  
1    2    3    4    5    6

1	Model
2	C: With check
3	Mounting type    G: Sub-plate mounting    T: Thread connection
4	Valve size
5	Pressure adjusting range
6	Valve type

## Specifications

Model		Pressure Adj. Range (bar)	Max. Flow (lpm)	Weight (kg)	
Sub-Plate Mounting	Thread Connection				
HG-03 HCG-03	HT-03 HCT-03	A: 18~35	60	4 5	3.7 4.1
HG-06 HCG-06	HT-06 HCT-06	B: 35~70	130	6.1 7.4	6.2 7.1
HG-10 HCG-10	HT-10 HCT-10	C: 70~140	250	11.0 13.8	12.0 13.8

Without check	The type of pilot, drain	Function drawing	Symbol	With check	The type of pilot, drain	Function drawing	Symbol
1.Low pressure relief	Internal pilot internal drain			1.Counter balance valve	Internal pilot internal drain		
2.Sequence valve	Internal pilot external drain			2.Sequence & check valve	Internal pilot external drain		
3.Sequence valve	External pilot external drain			3.Sequence & check valve	External pilot external drain		
4.Unloading relief	External pilot internal drain			4.Counter balance valve	External pilot internal drain		